

III Rodent Brain Matrices (RBM)

Rodent Brain Matrices are designed for similar purposes as Tissue Matrices, but only for rodent brains. They allow the investigator to slice either coronal (perpendicular to center line) or sagittal (parallel to center line) sections through the brain at intervals as small as 1mm. All Rodent Brain Matrices are identical and durable to ensure reproducible sections in the day-to-day, year-to-year, or on a between laboratory basis.

APPLICATIONS

Biochemical Pharmacology: The reproducible removal of small brain regions (i.e. discrete terminal fields or nuclei) for biochemical analysis, such as the determination of neurotransmitter and metabolite concentrations. Individual brain areas may be either dissected or micropunched from the slices formed.

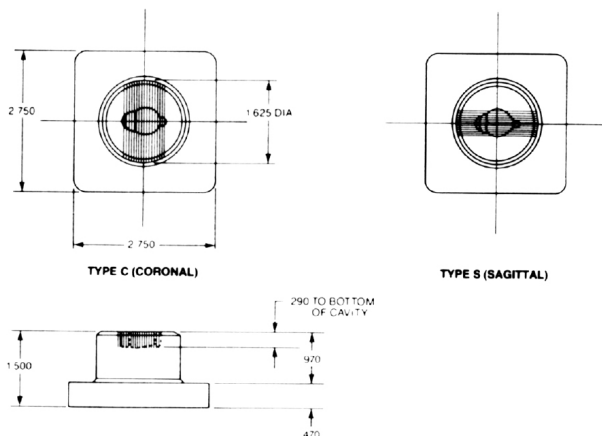
Anatomy: Precise blocking of the brain prior to microtome sectioning.

Neurophysiology: Reproducible blocking of the brain prior to vibratome sectioning.

TECHNICAL DATA

Rodent Brain Matrices are constructed from high grade zinc to allow for rapid temperature equilibration, easy cleaning, and sterilization. The matrices are designed to accommodate the brains of rodents placed ventral side up. The channels are precisely cut at 1mm intervals and 0.3mm wide.

Overall Measurements: 2.75" x 2.75" x 1.5"H



ORDERING INFORMATION

Cat. No.	Animal, Weight, Slice Orientation	Qty.
69020	RBM Gerbil, 70g, Coronal	each
69021	RBM Gerbil, 70g, Sagittal	each
69022	RBM Mouse, 30g, Coronal	each
69023	RBM Mouse, 30g, Sagittal	each
69024	RBM Rat, 125g-185g, Coronal	each
69025	RBM Rat, 125g-185g, Sagittal	each
69026	RBM Rat, 200g-400g, Dorsal-Ventral	each
69026-C	RBM Adult Rat, 200g-400g, Coronal	each
69026-S	RBM Adult Rat, 200g-400g, Sagittal	each
69027	RBM Guinea Pig, 250-450g, Coronal	each
69027-C	RBM Adult Guinea Pig, 350g, Coronal	each
69027-S	RBM Adult Guinea Pig, 350g, Sagittal	each
69028	RBM Guinea Pig, 250-450g, Sagittal	each
69029-C	RBM Adult Ferret, Coronal	each
69020-S	RBM Adult Ferret, Sagittal	each
69040-C	RBM Adult Rabbit, Coronal	each
69040-S	RBM Adult Rabbit, Sagittal	each
69041-C	RBM Rat Pup, 30g, Coronal	each
69041-S	RBM Rat Pup, 30g, Sagittal	each
69042-C	RBM Hamster, 100g, Coronal	each
69042-S	RBM Hamster, 100g, Sagittal	each
69045-C	Brain Matrix, Adult Cynomolgus Monkey, Coronal, 2mm slots	each
69046-C	Brain Matrix, Adult Rhesus Monkey, Coronal, 40 Slots, 2mm	each
69047-C	Brain Matrix, Adult Retriever Dog, Coronal, 40 Slots, 2mm	each
69048-C	Brain Matrix, Adult Cat, Coronal, 35 Slots, 2mm	each
69049	Heart Matrix, Adult Cat, 2mm Slices	each
69050-C	Heart Matrix, Adult Rat, 1mm Slices	each
69051-C	Heart Matrix, Adult Rabbit, 2mm Slices	each
69052-C	Brain Matrix, Sus Scrofa Piglet, 12 days old, 3kg, 2mm Slots	each