

INSTRUCTION MANUAL

CAT. 72400-12, 72400-20, 72400-EU, 72400-BR, 72400-SW, 72400-AU, 72400-10, 72401-12, 72401-20, 72401-EU, 72401-BR, 72401-SW, 72401-AU, 72401-10
MegaMag Genie and Digital Mega Mag Genie – Magnetic Stirrers



Electron Microscopy Sciences
1560 Industry Road Hatfield, PA 19440
TEL: 215-412-8400 FAX: 215-412-8450
TOLL FREE: 1-800-523-5874
EMAIL: sgkcck@aol.com
WEB: www.emsdiasum.com

CAUTION! Do not subject the MegaMag Genie® to excessive shock. Dropping the unit, or otherwise subjecting it to unnecessary shock (ie: using excessive force to place vessels on the unit) may crack the case and lead to unsafe conditions.

CAUTION! Failure to follow operating instructions can compromise the user's safety.

Care and Handling

The MegaMag Genie should be given the care normally required for any electrical appliance. Avoid wetting or unnecessary exposure to fumes. The finish can be washed with a damp cloth (after unplugging) and soap or mild detergents, using a cloth or sponge. Keep the unit clean by immediately blotting any spills.

CAUTION! Unplug from power before cleaning. Do not immerse.

CAUTION! Do not use MegaMag Genie in hazardous atmospheres or with hazardous materials.

CAUTION! Do not use MegaMag Genie in applications such as mixing of flammable materials or where the transfer of mechanical energy to glass apparatus could lead to breakage.

TECHNICAL SPECIFICATIONS

The MegaMag Genie Magnetic Stirrer is classified as "Installation Category 2" Environmental: 0°C – 38°C (32°F-100°F), 95% Humidity max.

Weight: 3.0 Kg (35 lbs.) Maximum Load: 38 liters
Dimensions (DxWxH): 317x315x137mm (12.5x12.4x5.4in)

The MegaMag Genie® is a large volume magnetic stirrer offered in Digital models with speed/time control and Analog models with speed control.

The MegaMag Genie is designed to safely and effectively mix liquid volumes up to 38 liters (10 gallons) using magnetic stirring bars. The rugged housing is made with an engineering grade thermoplastic resin and can support up to 85 pounds. A timing belt driven pulley rotates a powerful rare earth magnet that couples with the stirring bar (3-inch stir bars are recommended for most applications). Mixing speeds vary between 250 and 1300 RPM (10 RPM increments for digital version) to facilitate gentle stirring up to full vortex mixing. The digital models have an opto- electronic software driven "ramp to speed" feature that ensures maximum coupling between drive magnet and stir bar (analog models require manual speed ramping). The enclosure is air cooled to prevent heat transfer to mixing media. Digital models have large LED's for displaying speed and time (0-99 min) or continuous.

OPERATING INSTRUCTIONS

We recommend you retain the original packaging for 90 days in case you need to return the product for any reason to your distributor or Electron Microscopy Sciences.

1.0 - Plug the line cord into a properly grounded electrical outlet. Illuminated ON/OFF switch (analog models) and illuminated numbers in the TIME and SPEED windows (digital models) indicate that the unit is ON and ready for use.

Electron Microscopy Sciences
1560 Industry Road Hatfield, PA 19440
TEL: 215-412-8400 FAX: 215-412-8450
TOLL FREE: 1-800-523-5874
EMAIL: sgkcck@aol.com
WEB: www.emsdiasum.com

2.1 - MegaMag Genie Digital Models

Allows for unattended operation that is timed from 1 to 99 minutes.

Press the UP/DOWN arrow buttons beneath the TIME window to set the desired stirring time. Press the UP/DOWN arrows beneath the SPEED window to set the desired stirring speed. Press the START/STOP button to begin the stirring action. The stirrer will ramp up to the desired speed and run until the set time has elapsed. To stop the cycle before the set time has elapsed, press the START/STOP button. To initiate a new timed cycle, press the START/STOP button again.

2.2 - "SLEEP" Mode

The stirrer will automatically go into a "SLEEP" mode if the mixer is plugged in but not used for 10 minutes. The TIME and SPEED illuminated displays will go blank. Press the START/STOP button to "WAKE UP" the mixer.

Note: The speed control can be adjusted up or down during the mixing cycle, however, the TIME can only be adjusted before the cycle begins.

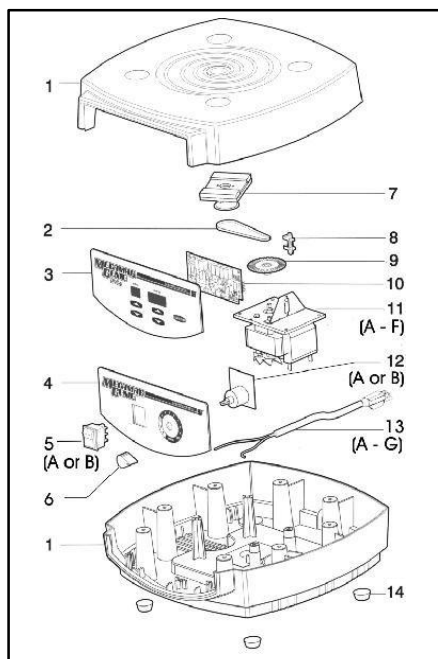
3.0 - MegaMag Genie Analog Models

Allows for operation that will continue indefinitely until the unit is turned off.

Press the ON/OFF switch into the ON position. Adjust the SPEED potentiometer to the desired stirring speed. To ensure strong coupling between drive magnet and stir bar, it is recommended to manually ramp to maximum speed.

PARTS ASSEMBLY LIST

To order parts for the MegaMag Genie® - Contact your local distributor or visit www.emsdiasum.com. Please specify Part No, quantity and electric voltage.



Electron Microscopy Sciences
 1560 Industry Road Hatfield, PA 19440
 TEL: 215-412-8400 FAX: 215-412-8450
 TOLL FREE: 1-800-523-5874
 EMAIL: sgkck@aol.com
 WEB: www.emsdiasum.com